



ICE BULLETS MAKER ICM26



Instruction Manual



CONTENT

1. IMPORTANT SAFETY INSTRUCTIONS
2. FEATURES
3. NOTES BEFORE OPERATION
4. STRUCTURE
5. OPERATION PROCEDURES
6. MAINTENANCE
7. TECHNICAL PARAMETERS
8. CIRCUIT DIAGRAM
9. TROUBLE AND SHOOTING



*Thank you for selecting our Automatic Ice-Maker!
To ensure the proper operation of this ice maker, please read the instruction carefully before use and please keep it for inspection in case troubles occur.*



IMPORTANT SAFETY INSTRUCTIONS

When using electrical appliances, basic safety precautions should be followed to reduce the risk of fire, electric shock, and injury to persons or property. Read all instructions before using any appliance.

- This appliance can be used by children aged from 8 years and above and persons with reduced physical, sensory or mental capabilities or lack of experience and knowledge if they have been given supervision or instruction concerning use of the appliance in a safe way and understand the hazards involved. Children shall not play with the appliance. Cleaning and user maintenance shall not be made by children without supervision.

WARNING : Keep ventilation openings, in the appliance enclosure or in the built-in structure, clear of obstruction.

WARNING : Do not use mechanical devices or other means to accelerate the defrosting process or ice harvesting process, other than those recommended by the manufacturer.

WARNING : Do not damage the refrigerant circuit.

WARNING : Do not use electrical appliances inside the food storage compartments of the appliance, unless they are of the type recommended by the manufacturer.

WARNING : When positioning the appliance, ensure the supply cord is not trapped or damaged.

WARNING : Do not locate multiple portable socket-outlets or portable power supplies at the rear of the appliance.

- This appliance is intended to be used in household and similar applications such as:
 - staff kitchen areas in shops, offices and other working environments;
 - farm houses and by clients in hotels, motels and other residential type environments;
 - bed and breakfast type environments;
 - catering and similar non-retail applications.
 - The instructions shall include the substance of the following:
 - Opening the door for long periods can cause a significant increase of the temperature in the compartments of the appliance.
 - Clean regularly surfaces that can come in contact with food and accessible drainage systems.
 - Clean water tanks if they have not been used for 48h; flush the water system connected to a water supply if water has not been drawn for 5 days.
 - Fill with potable water only.
 - If the supply cord is damaged, it must be replaced by the manufacturer, its service agent or similar qualified persons in order to avoid a hazard.
 - Do not tip over.
 - Do not store explosive substances such as aerosol cans with a flammable propellant in this appliance.
 - Do not run the power cord over carpeting or other heat insulators. Do not cover the cord. Keep cord away from traffic areas, and do not submerge in water.
-



- Do not use other liquid to make the ice-cube other than water.
- Do not clean your ice maker with flammable fluids. The fumes can create a fire hazard or explosion.
- We do not recommend the use of an extension cord, as it may overheat and become a risk of fire. Unplug the ice maker before cleaning or making any repairs or servicing.
- If the ice maker is brought in from outside in wintertime, give it a few hours to warm up to room temperature before plugging it in.
- The grounding must be good.

The wires in this mains lead are colored in accordance with the following code:

- Live wire (coloured brown) to terminal marked L
- Neutral wire (coloured blue) to terminal marked N
- Earth wire (coloured green and yellow) to terminal marked E

Caution : risk of fire / flammable materials

Refrigerant R600a / R290, this gas is natural gas with high environmental compatibility that is, however, also combustible. When transporting and installing the appliance, care should be taken to ensure that no parts of the refrigerating circuit are damaged. Refrigerant leaked from the refrigerating pipes could ignite, if leaking is detected, to avoid any potential source of ignition (spark, naked flames etc.), please open window or door, and keep good ventilating.



Correct disposal of this product

This marking indicates that this product should not be disposed with other household wastes throughout the EU. To prevent possible harm to the environment or human health from uncontrolled waste disposal, recycle it responsibly to promote the sustainable reuse of material resources. To return your used device please use the return and collection systems or contact the retailer where the product was purchased. They can take this product for environmental safe recycling.





FEATURES

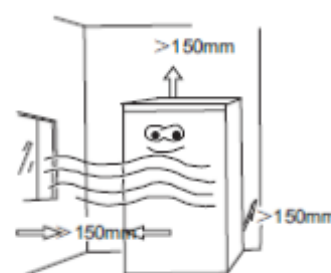
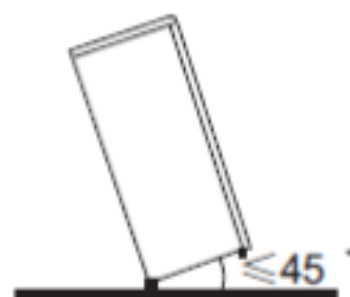
Our Automatic ice makers are designed in cubic shape with the curved front panel and curved door (or stainless steel flat front panel and flat door) for nice appearance.

Many advantages of the ice maker are available, such as ice making quickly, great ice making capacity, nice ice shape and ice dropping quickly.

Water inlet ~ water filling ~ ice making ~ water releasing and ice dropping, all these processes are automatically controlled for ice making continuously. In case of water shortage or ice full in cabinet, the indicator on the operation board will light on accordingly and the ice maker will stop operation automatically. The ice storage cabinet is PU foamed, so it is insulated well and it could prevent the ice from melting.

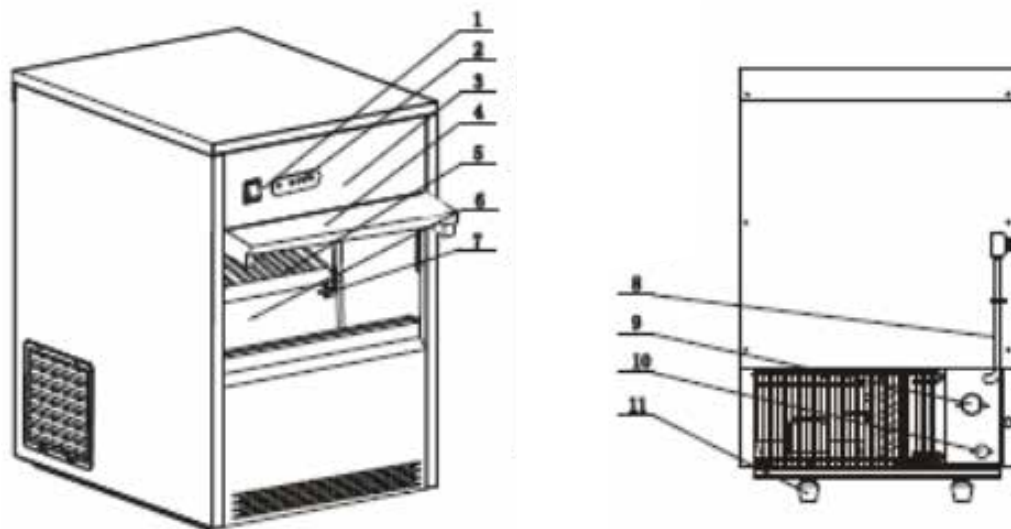
NOTES BEFORE OPERATION

1. The incline angle of the cabinet could not be over 45° during transportation. Don't make ice maker upside-down in case the compressor or refrigerating system troubles occur.
2. When use for the first time or when restart after long period of unused, the ice made for the first two times is not edible, it is the self-cleaning process of the ice making system.
3. The ice make should be placed on horizontal and structurally sound ground and away from heat source and corrosive gas. ICM26 ice make at least about 150mm room should be left around the ice maker to ensure the fine ventilation. Please adjust the feet when placing the ice maker some where, otherwise the water level will be effected and so do the ice shape. Before using the ice maker for the first time, you should wait about 12hours after positionng it in a proper place.
4. The outlet of draingage tube should be lower than cabinet so as to drain water easily.
5. The separate three-pole outlet should be used and the grounding must be good





STRUCTURE



- | | |
|--------------------------|----------------------|
| 1. Power Switch | 7. Ice lever Sensor |
| 2. Display Panel | 8. Power Cord |
| 3. Front Panel | 9. Water Inlet Valve |
| 4. Door | 10. Drainage Tube |
| 5. Ice Bouncing Shelf | 11. Bottom Foot |
| 6. Ice Storage Container | |

OPERATION PROCEDURES

1. Unpack the ice maker from its carton, then remove the ice shovel, inlet/outlet tubes, and sealing washers, from the container in the ice maker where they are packed for transit.
2. Position the ice maker on a well ventilated place, leaving at least a 150mm gap between the ice maker and the walls/ceiling etc. The ice maker must be level, and situated away from any heat source.
3. Attach one end of the $\phi 12\text{mm}$ flexible plastic corrugated pipe to the water outlet on back of machine. The other end of the pipe should be inserted into a plumbed in stand waste pipe, or a suitable container for the collection of the waste water.
4. Connect the $3/4''$ water inlet hose, supplied with the ice maker, to a drinking water supply and then connect the other end to the water inlet on the back of the machine. When connecting this hose, use the sealing washers supplied with the ice maker to eliminate the risk of a water leak. The water pressure must be a minimum of $1\text{Kg}/\text{cm}^2$ or 14.7psi and a maximum of $8\text{ kg}/\text{cm}^2$ or 117psi .
5. Plug the power lead in to the supply socket, then press the green on/off switch on the ice maker to start it, the green "run" light will be lit. The ice maker will start to operate.
6. The operation of the ice maker is completely automatic unit the ice is removed from the container. Water supply-ice making-ice transfer-ice storage.
7. If the storage container is full with ice, the "ice full" indicator on the display panel will light, and the ice maker will stop automatically. Remove the ice from the storage container, wait for five minutes, then restart the ice maker.



8. Should the water supply be restricted or fail, the “water low” light will be lit. The ice maker will stop automatically. When the water supply is restored, wait for at least five minutes then re-start the ice maker.

MAINTENANCE

1. If the compressor stops for any reasons like water shortage, too much ice, power off, etc., Don't restart it right away. You can restart it 5 minutes later to protect compressor.
2. Check regularly the connectors of the water inlet and outlet tubes and drain the little surplus water that may occur.
3. If the ice maker will be unused for long periods of time, please screw off the plastic drainage connector screw on the back of the ice maker so as to drain the surplus water in the water groove. Then screw it on. Wipe the inner liner of the ice storage container with a clean rag.
4. When plugging or unplugging, the plug should be held by hand and the wires should not be dragged heavily.
5. Please clean the ice maker and its water supply system for one time every month. The ice maker should be unplugged before cleaning.

TECHNICAL PARAMETERS

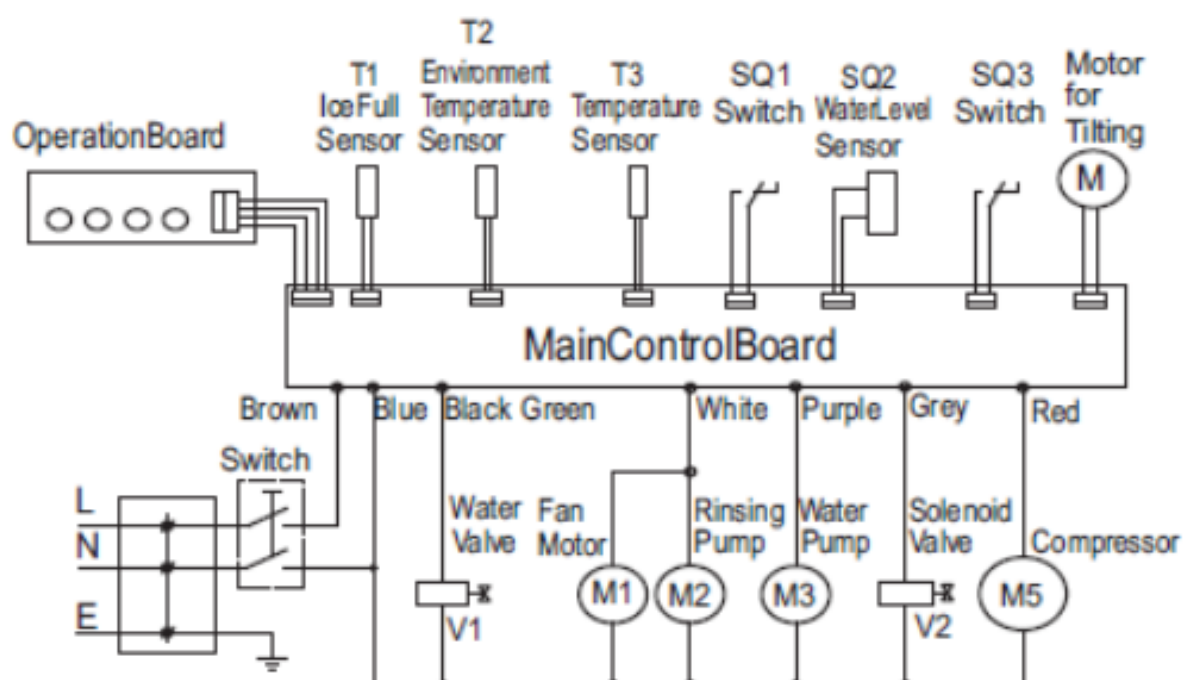
(tested under the conditions of ambient temperature 15°C and tap water temperature 10°C)

Model	Ice Making Capacity (Kg/24h)	Electric Shock Protection Class	Power Input (W)	Ambient temperature °C/°F	Dimensions LxDxH (mm)
ICM26	>= 26	I	160	10°C / -43°F	420x514x655

The specifications are subject to be changed without notice. Please check the nameplate for sure.



CIRCUIT DIAGRAM



TROUBLE AND SHOOTING

(for reference of users and technicians)

TROUBLE	CAUSE	REMEDY
The ice maker does not work	<ol style="list-style-type: none"> 1.The voltage is out of limitation. 2.The ambient temperature is lower than 10°C. 	<ol style="list-style-type: none"> 1.Stop the ice maker and restart it until the voltage is normal. 2.Try again when the ambient temperature higher than 10°C
Water shortage indicator lights on	<ol style="list-style-type: none"> 1.Water shortage from the water supply system. 2.Water valve damaged 3.Tap water pressure too low. 	<ol style="list-style-type: none"> 1.Check the water supply. If it is ok, restart the maker. 2.Check the water valve. 3.Be sure the tap water pressure is higher than 1 Kg/cm²
Compressor doesn't work	<ol style="list-style-type: none"> 1.Water shortage 2.Ice full 	<ol style="list-style-type: none"> 1.Check the water supply system (water valve and water supply tube). 2.Take out some ice.
Compressor works, but no ice is made	<ol style="list-style-type: none"> 1.Refrigerant leakage 2.The refrigerating system is blocked 	<ol style="list-style-type: none"> 1.Recharge the refrigerant and check the leakage again. 2.Charging N2 to check whether the system is blocked and replace the dry-filter. 3.Replace the solenoid valve. 4.Check whether the fan is running.



It is difficult for ice dropping or ice cannot be dropped	1. Water temperature or ambient temperature is too low 2. The solenoid valve is damaged	1. Check whether the ambient temperature is too low. (Lower than 10°C) or water temperature is too low (lower than 7°C) 2. Replace the solenoid valve.
Trouble indicator lights on	The water box does not tilt	Unplug the power, check the tilting motor and the relative system. 3~5 minutes later restart the machine.



L2G - BM PRODUCTIONS
17 avenue du 24 août 1944
BP 90690
69969 CORBAS CEDEX
FRANCE

Tel : +33 4 72 23 23 98
Fax : +33 4 72 23 23 99
contact@L2Gfrance.fr
www.L2Gfrance.fr